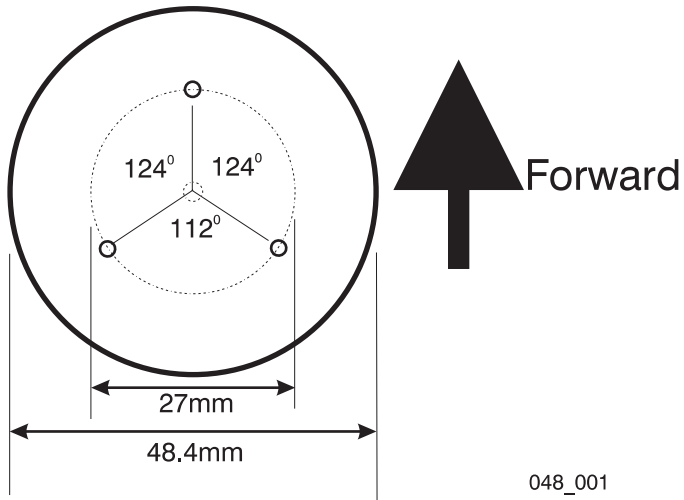


Mounting Templates



Tacktick Limited
22 North Street, Emsworth
Hampshire, PO10 7DG, UK
Tel: +44 (0) 1243 379331
Fax: +44 (0) 1243 379199
www.tacktick.com

Wind Transmitter

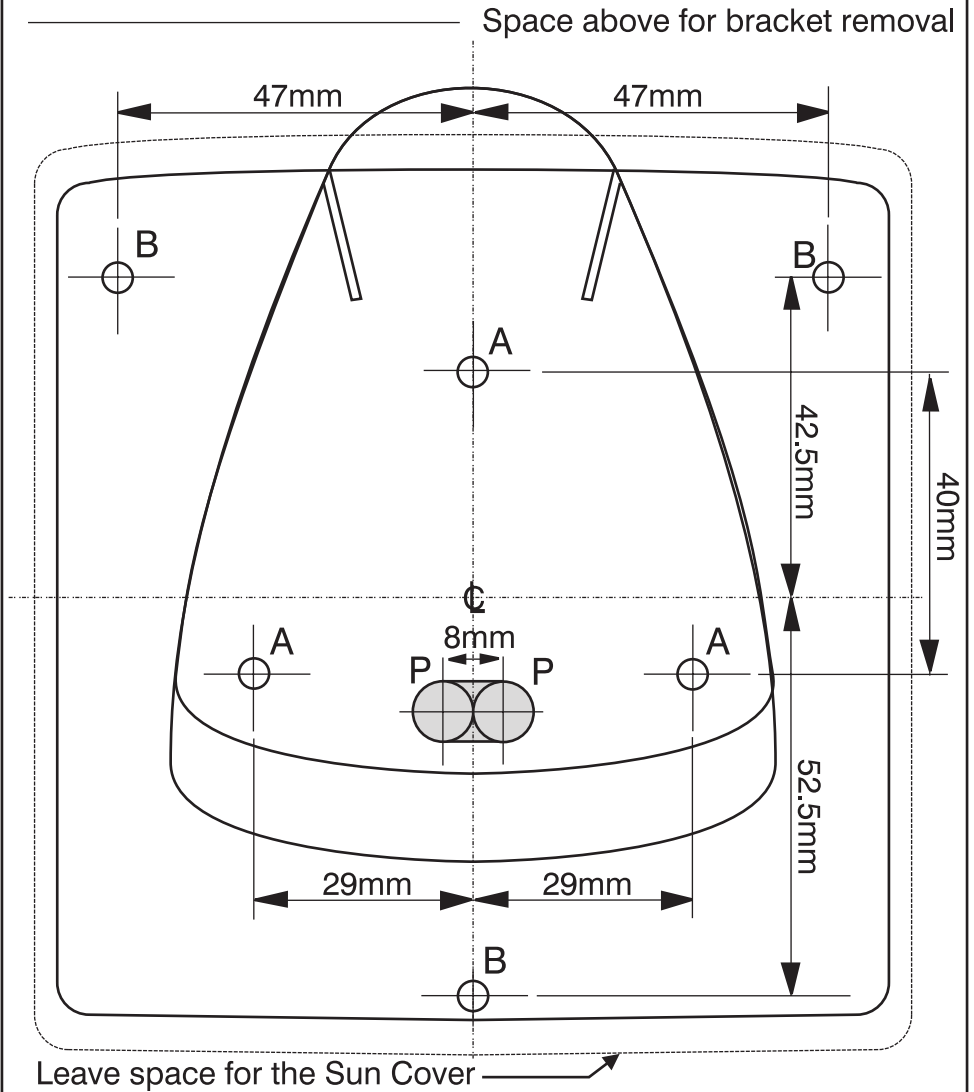


Mounting: Drill 3 x Holes (size depends on the material being drilled)



U048 - rev08 1050873

Display, Hull Transmitter & Wireless Interface



048_002

- | | |
|------------------------|-------------------------|
| Bracket Mounting: | Drill 3 x 2mm Holes (A) |
| Front Mounting: | Drill 3 x 2mm Holes (B) |
| Rear Mounting: | Drill 3 x 5mm Holes (B) |
| For Power Connections: | Drill 2 x 7mm Holes (P) |